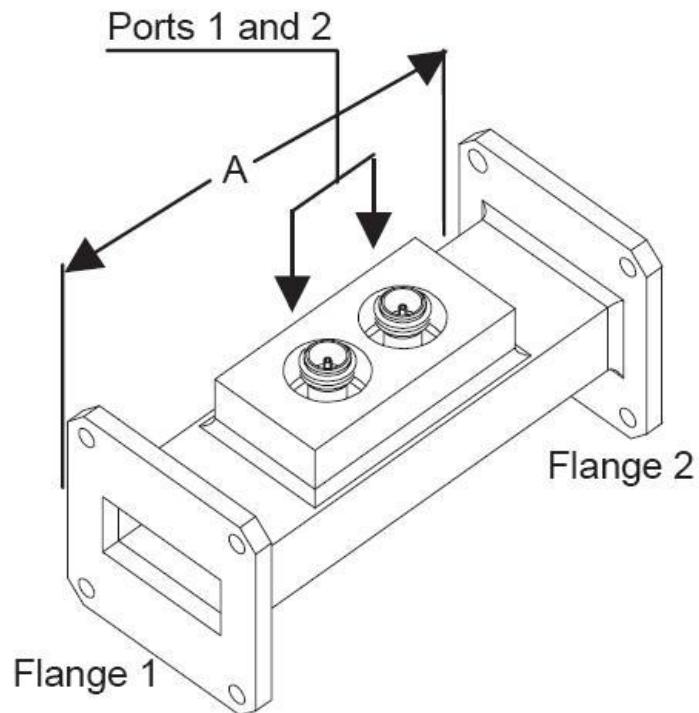
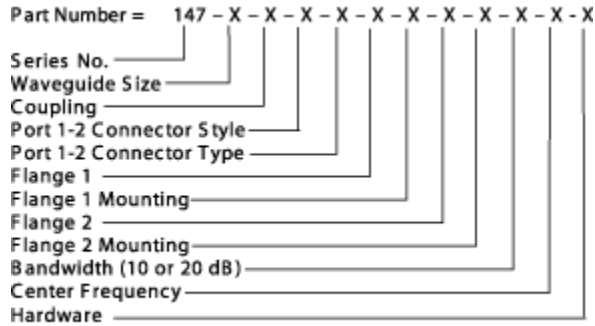


Loop Coupler S147

UBS series of waveguide loop couplers offers a new dimension in high directivity couplers. They are available over a coupling range of 20-70 dB. These couplers are engineered to perform with a minimum of waveguide length making them the smallest of any waveguide couplers available.



Ordering Information



Specifications

Size	Frequency (GHz)	Dimension (inches) A
WR90	8.20 - 12.40	2.50
WR102	7.00 - 11.00	2.50
WR112	7.05 - 10.10	2.50
WR137	5.85 - 8.20	3.50
WR159	4.09 - 7.05	3.50
WR187	3.95 - 5.85	3.50
WR229	3.30 - 4.90	5.00
WR284	2.60 - 3.95	5.00
WR340	2.20 - 3.30	-
WR430	1.70 - 2.60	5.00
WR650	1.12 - 1.70	-

Flange Configuration

FlangeType	C - Cover
	G - Groove
	CHOKE
	CMR
	CPR (F,G)
Flange Mounting Holes	T1 - Through Holes
	T2 - Threaded
	A - Alternating



Port Configuration

Connector Style	SMA, N, 2.9mm (K), 3.5mm, 2.4mm
Connector Type	M-Male, F-Female
Coupling	30dB, 40dB, 50dB, 60dB, 70dB

Electrical Specifications

VSWR	1.10 Max
Coupling	±1.0 dB max for 20% of WG Band
Directivity	30dB Typ. For 10% of WG Band 25dB Typ. For 20% of WG Band